

GENERATOR MODEL: CU60

230/400V, 50HZ @ 1500RPM

Prime Power	60 kVA	48 kW
Standby Power	66 kVA	53 kW



Features:

- **Warranty: 1 year or 1000 hours.**
- **Cummins as the world's leading power engines manufacturer since 1919.**
- **24/7 after sales support.**
- **Easy and economical availability of Spares.**
- **Advance digital control system, Long service life, Easy to Operate, Low Fuel consumption, Anti vibrating Isolators.**
- **Automatic start (optional), Eco-friendly.**
- **Low oil shutdown safety.**
- **Automatic overload protection safety.**



Engine

Cummins (China), Model **4BT3.9G-2**, in accordance to ISO3046, ISO 8528, DIN 6271



Alternator

Stamford-UK, Leroy Somer-France, Meccalte-EU Complying to the following Standards: CEE/CE12/3/EN60034-1 / IEC34-1/VDE



Control Panel

Deep Sea Electronics DSE-4000/6000 series, Made in UK, Comply to standards: BS EN 61000, BS EN 60950, BS EN



Fuel Tank

The overall fuel tank capacity: 145 LTR.



Dimensions

L x W x H = 6.25 x 2.65 x 4.2 (without Canopy)

ENGINE TECHNICAL DATA



SCHEMA



FUEL

LUBE SYSTEM



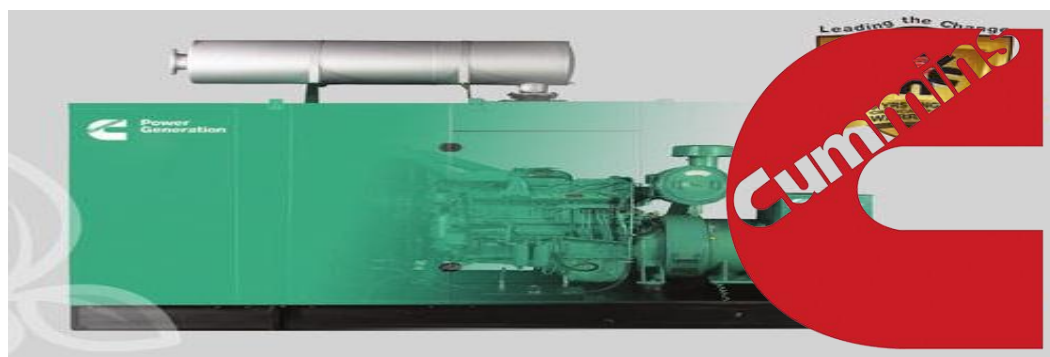
COOLING

AIR INTAKE



EXHAUST

Engine Make	Cummins
Engine Model	4BT3.9G-2
Number Of Cylinders	4
Cylinder Arrangement	Vertical In Line
Bore and Stroke	102 mm x 120 mm
Governor Type	Electronic
Displacement	3.9 L
Compression Ratio	16.9:1
Aspiration	Turbocharged
Cycle	4 Stroke
Combustion System	Direct Injection
Rotation	Anti-clockwise, viewed on flywheel
Cooling System	Water - Cooled
Frequency and Engine Speed	50Hz and 1500 rpm
Gross Engine Power (Prime)	58 kW / 78 h.p
Gross Engine Power (Standby)	64 kW / 86 h.p
Fuel Consumption	
100% Load (L/hr)	13
75% Load (L/hr)	10
50% Load (L/hr)	07
Fuel Tank Capacity	145 Ltr
Lubrication System Capacity	16.4 Ltr
Total Coolant Capacity	24.0 Ltr
Radiator Cooling Air Flow	3.6 m ³ /sec
Combustion Air Flow	5.9 m ³ /min
Exhaust Gas Flow (Prime)	8.5 m ³ /min
Exhaust Gas Flow (Standby)	9.9 m ³ /min
Exhaust Temperature (Prime)	535 °C
Exhaust Temperature (Standby)	560 °C



Preview our new **STAMFORD** alternators



ALTERNATOR TECHNICAL DATA



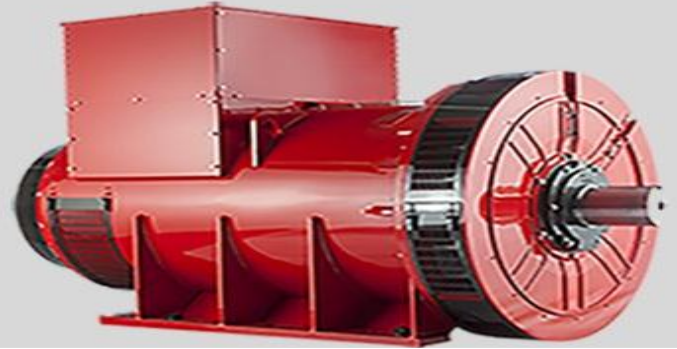
SCHEMA

Insulation System	Class H
Winding Pitch	2/3 to Minimize Harmonics effects
Number of Poles	4
Number of Bearings	Single Bearing
RPM	1500 RPM
Power Factor	0.8/1
Regulation	± 1%
Frequency	50 Hz
Voltage Range	380-415 / 220-240
IP Rating (Protection)	Ip23

Synchronous, 3/1 phase, Brushless & Self Excited

NOTE: Alternator Brand & Model is subject to availability.

Preview our new **STAMFORD** alternators



CONTROL MODULE

DEEP SEA ELECTRONICS
(DSE-4000/6000/7000 Series)



INDICATORS

- ✔ Operating Hours
- ✔ 3 Phase Generator Voltage Sensing & Monitoring
- ✔ Current Protection & Monitoring
- ✔ Power Measurement (kW, kVA, kVA_r, kWh, kVAh, kVA_rh, pf)
- ✔ Frequency Monitoring (Hz)
- ✔ Oil Pressure/Coolant Temperature
- ✔ Battery Voltage Monitoring (DC)
- ✔ Alarm Acknowledge



CONTROLS

- ✔ Engine Cool Down Timer
- ✔ Emergency Stop Push button/ Alarm Acknowledge
- ✔ Warm-up Timer
- ✔ Load Switching Timer
- ✔ Engine Cycle Crank



WARNING & SHUTDOWN ALARM

- ✔ Generator Over/Under Voltage & Frequency
- ✔ Crank Disconnect (Failure to Start)
- ✔ Under/Over Speed
- ✔ Over Current
- ✔ Low Oil Pressure
- ✔ High Water Temperature
- ✔ Low Fuel Level
- ✔ Low Water Level



FEATURES

- ✔ User Friendly
- ✔ Compatible With CAN Engines
- ✔ License Free Software
- ✔ Largest Backlit Icon Display In Its Class
- ✔ Fully Configured Via The Fascia Or Pc Using Usb
- ✔ Efficient Power Save Mode



Disclaimer: In line with continuous product development, we reserve the right to change specifications without prior notice